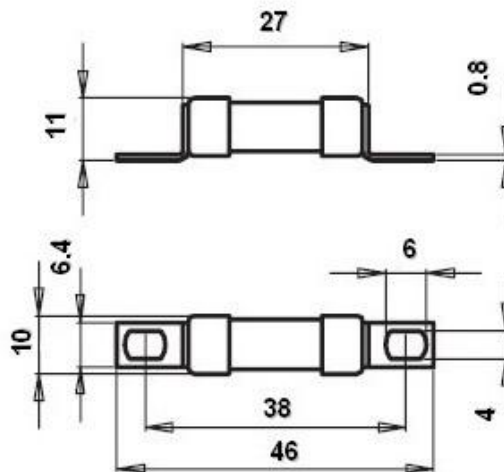


Main Characteristics 主要技术参数 电压Voltage:240VAC~150VDC 电流: from 5A to 400A 类别: gR
 分断能力 High interrupting rating 100 kA. 执行标准 Standard IEC 60269-Part 、4 BS 88 Part 4.

Kaiert Type 型号规格	Ampere 电流(A)	Voltage 电压(V)	Pre-arcting I^2t A ² S 弧前 I^2t	Total cleaing I^2t @Un A ² S 熔断 I^2t	Power Loss 功耗 (W)		Cross Reference 国内外熔断器对照表		
					0.8In	In	Bussmann	Ferraz	Siba
BS10-5A/240VACL/38	5A	240VAC	1.3	11	0.6	1	6LCT	M082489	50 076 06.5
BS10-6A/240VACL/38	6A	240VAC	1.8	15	0.7	1.2	6LCT	E097478	50 076 06.6
BS10-10A/240VACL/38	10A	240VAC	2.4	20	1.2	2.1	10LCT	L082488	50 076 06.10
BS10-12A/240VACL/38	12A	240VAC	4.3	33	1.6	2.8	12LCT	P097487	50 076 06.12
BS10-16A/240VACL/38	16A	240VAC	6.7	48	2.0	3.5	16LCT	K082486	50 076 06.16
BS10-20A/240VACL/38	20A	240VAC	15	100	2.2	4.0	20LCT	J082486	50 076 06.20
BS10-25A/240VACL/38	25A	240VAC	27	160	2.6	4.7	N/A	X097494	N/A
BS10-32A/240VACL/38	32A	240VAC	53	280	3.0	5.4	N/A	N081984	N/A

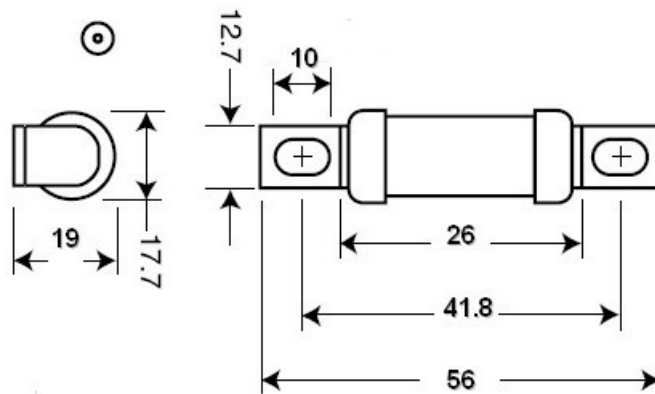
Dimensions 安装尺寸 (mm):



Main Characteristics 主要技术参数 电压 Voltage: 240VAC~150VDC 电流: from 5A to 400A 类别: gR
分断能力 High interrupting rating 100 kA. 执行标准 Standard IEC 60269-Part、4 BS 88 Part 4.

Kaiert Type 型号规格	Ampere 电流 (A)	Voltage 电压 (V)	Pre-arcing I^2t A ² S 弧前 I^2t	Total cleaing I^2t @Un A ² S 熔断 I^2t	Power Loss 功耗 (W)		Cross Reference 国内外熔断器对照表		
					0.8In	In	Bussmann	Ferraz	Siba
BS17-7A/240VACL/42	7A	240VAC	1.3	9.8	0.56	1	N/A	MO76647	N/A
BS17-10A/240VACL/42	10A	240VAC	4.5	23.8	0.84	1.5	N/A	NO76648	N/A
BS17-12A/240VACL/42	12A	240VAC	5.9	31	1.1	2.0	N/A	PO76649	N/A
BS17-16A/240VACL/42	16A	240VAC	11.2	59	1.7	3.0	N/A	QO76650	N/A
BS17-20A/240VACL/42	20A	240VAC	15.6	100	2.2	3.9	N/A	LO97507	N/A
BS17-25A/240VACL/42	25A	240VAC	30	160	2.7	4.8	25LET	RO76652	50 053 06.25
BS17-30A/240VACL/42	30A	240VAC	45	235	3.2	5.6	30LET	SO76652	50 053 06.30
BS17-35A/240VACL/42	35A	240VAC	63	330	3.7	6.5	35LET	TO76653	50 053 06.35
BS17-50A/240VACL/42	50A	240VAC	180	940	4.9	8.8	50LET	VO76654	50 053 06.50
BS17-60A/240VACL/42	60A	240VAC	250	1310	5.8	10.4	60LET	WO76655	50 053 06.60
BS17-75A/240VACL/42	75A	240VAC	380	1990	7.2	13.6	75LET	XO76656	50 053 06.75
BS17-80A/240VACL/42	80A	240VAC	480	2530	7.25	13.7	80LET	ZO85559	50 053 06.80
BS17-100A/240VACL/42	100A	240VAC	730	4060	6.5	11.5	100LET	YO85558	50 053 06.100
BS17-125A/240VACL/42	125A	240VAC	850	6920	6.7	12.3	125LET	GO97526	50 053 06.125
BS17-150A/240VACL/42	150A	240VAC	1250	9590	7.4	13.6	150LET	WO85556	50 053 06.150
BS17-160A/240VACL/42	160A	240VAC	1730	11700	8.8	15.6	160LET	HO97527	50 053 06.160
BS17-180A/240VACL/42	180A	240VAC	2090	17500	9.5	17	180LET	NO97532	50 053 06.180

Dimensions 安装尺寸 (mm):

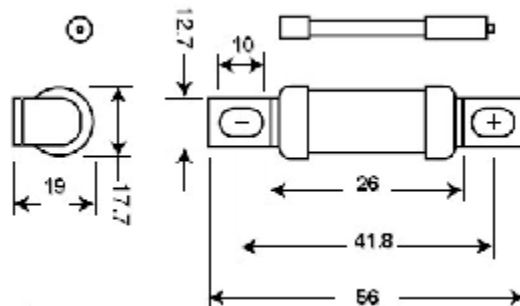


Main Characteristics 主要技术参数 电压 Voltage: 240VAC~150VDC 电流: from 5A to 400A 类别: gR
 分断能力 High interrupting rating 100 kA. 执行标准 Standard IEC 60269-Part、4 BS 88 Part 4.

Kaiert Type 型号规格	Ampere 电流 (A)	Voltage 电压 (V)	Pre-arcing I^2t A ² S 弧前 I^2t	Total cleaing I^2t @Un A ² S 熔断 I^2t	Power Loss 功耗 (W)		Cross Reference 国内外熔断器对照表		
					0.8In	In	Bussmann	Ferraz	Siba
BS17-7A/240VACLK/42	7A	240VAC	1.3	9.8	0.56	1	N/A	P097533	N/A
BS17-10A/240VACLK/42	10A	240VAC	4.5	23.8	0.84	1.5	10LET	Q097534	N/A
BS17-12A/240VACLK/42	12A	240VAC	5.9	31	1.1	2.0	12LET	S097536	N/A
BS17-16A/240VACLK/42	16A	240VAC	11.2	59	1.7	3.0	16LET	X097540	N/A
BS17-20A/240VACLK/42	20A	240VAC	15.6	100	2.2	3.9	20LET	B097544	N/A
BS17-25A/240VACLK/42	25A	240VAC	30	160	2.7	4.8	25LET	D0975476	N/A
BS17-30A/240VACLK/42	30A	240VAC	45	235	3.2	5.6	N/A	E097547	N/A
BS17-35A/240VACLK/42	35A	240VAC	63	330	3.7	6.5	N/A	F097548	N/A
BS17-50A/240VACLK/42	50A	240VAC	180	940	4.9	8.8	N/A	J097551	N/A
BS17-60A/240VACLK/42	60A	240VAC	250	1310	5.8	10.4	N/A	H081082	N/A
BS17-75A/240VACLK/42	75A	240VAC	380	1990	7.2	13.6	N/A	K097552	N/A
BS17-80A/240VACLK/42	80A	240VAC	480	2530	7.25	13.7	N/A	L097553	N/A
BS17-100A/240VACLK/42	100A	240VAC	730	4060	6.5	11.5	N/A	P097556	N/A
BS17-125A/240VACLK/42	125A	240VAC	850	6920	6.7	12.3	N/A	Q097557	N/A
BS17-150A/240VACLK/42	150A	240VAC	1250	9590	7.4	13.6	N/A	R097558	N/A
BS17-160A/240VACLK/42	160A	240VAC	1730	11700	8.8	15.6	N/A	S097559	N/A
BS17-180A/240VACLK/42	180A	240VAC	2090	17500	9.5	17	N/A	T097560	N/A

带撞击器 with striker for micros witch operation

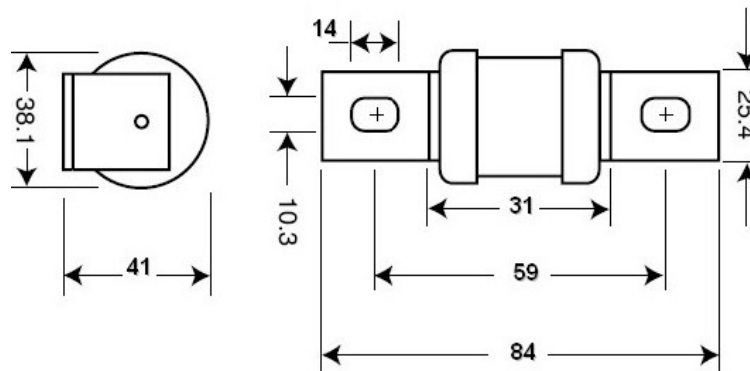
Dimensions 安装尺寸 (mm):



Main Characteristics 主要技术参数 电压 Voltage: 240VAC~150VDC 电流: from 5A to 525A 类别: gR
 分断能力 High interrupting rating 100 kA. 执行标准 Standard IEC 60269-Part、4 BS 88 Part 4.

Kaiert Type 型号规格	Ampere 电流 (A)	Voltage 电压 (V)	Pre-arcing I^2t A ² S 弧前 I^2t	Total clearing I^2t @Un A ² S 熔断 I^2t	Power Loss 功耗 (W)		Cross Reference 国内外熔断器对照表		
					0.8In	In	Bussmann	Ferraz	Siba
BS35-50A/240VACL/60	50A	240VAC	120	500	5	10	N/A	J080945	N/A
BS35-75A/240VACL/60	75A	240VAC	330	1380	6	13	N/A	K080946	N/A
BS35-100A/240VACL/60	100A	240VAC	745	3060	8	16	N/A	L080947	N/A
BS35-125A/240VACL/60	125A	240VAC	1340	5500	9	18	N/A	R082740	N/A
BS35-150A/240VACL/60	150A	240VAC	1930	7950	11	22	N/A	Q082469	50 054 06 160
BS35-200A/240VACL/60	200A	240VAC	4020	16400	14	27	N/A	P082468	50 054 06 200
BS35-250A/240VACL/60	250A	240VAC	5350	30000	16	33	N/A	N082467	50 054 06 250
BS35-300A/240VACL/60	300A	240VAC	7290	49600	19	37	N/A	M082466	50 054 06 300
BS35-350A/240VACL/60	350A	240VAC	18000	74000	21	42	N/A	L082465	50 054 06 350
BS35-400A/240VACL/60	400A	240VAC	25100	128000	23	47	N/A	G075538	50 054 06 400
BS35-450A/240VACL/60	450A	240VAC	33500	170000	27	54	N/A	H075539	50 054 06 450
BS35-500A/240VACL/60	500A	240VAC	43000	219000	30	61	N/A	J075540	N/A
BS35-525A/240VACL/60	525A	240VAC	48200	245000	33	66	N/A	K075541	N/A

Dimensions 安装尺寸 (mm):

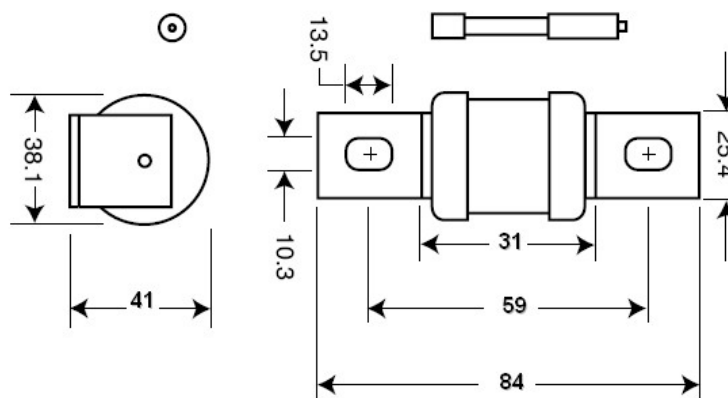


Main Characteristics 主要技术参数 电压 Voltage: 240VAC~150VDC 电流: from 5A to 525A 类别: gR
分断能力 High interrupting rating 100 kA. 执行标准 Standard IEC 60269-Part、4 BS 88 Part 4.

Kaiert Type 型号规格	Ampere 电流 (A)	Voltage 电压 (V)	Pre-arcing I^2t A ² S 弧前 I^2t	Total clearing I^2t @ U_n A ² S 熔断 I^2t	Power Loss 功耗 (W)		Cross Reference 国内外熔断器对照表		
					0.8In	In	Bussmann	Ferraz	Siba
BS35-50A/240VACLK/60	50A	240VAC	120	500	5	10	N/A	C080939	N/A
BS35-75A/240VACLK/60	75A	240VAC	330	1380	6	13	N/A	D080940	N/A
BS35-100A/240VACLK/60	100A	240VAC	745	3060	8	16	N/A	E080941	N/A
BS35-125A/240VACLK/60	125A	240VAC	1340	5500	9	18	N/A	Y081004	N/A
BS35-150A/240VACLK/60	150A	240VAC	1930	7950	11	22	160LMT	X081003	N/A
BS35-200A/240VACLK/60	200A	240VAC	4020	16400	14	27	200LMT	W081002	N/A
BS35-250A/240VACLK/60	250A	240VAC	5350	30000	16	33	250LMT	V081001	N/A
BS35-300A/240VACLK/60	300A	240VAC	7290	49600	19	37	300LMT	T081000	N/A
BS35-350A/240VACLK/60	350A	240VAC	18000	74000	21	42	350LMT	S080999	N/A
BS35-400A/240VACLK/60	400A	240VAC	25100	128000	23	47	400LMT	V075504	N/A
BS35-450A/240VACLK/60	450A	240VAC	33500	170000	27	54	450LMT	W075505	N/A
BS35-500A/240VACLK/60	500A	240VAC	43000	219000	30	61	N/A	X075506	N/A
BS35-525A/240VACLK/60	525A	240VAC	48200	245000	33	66	N/A	Y075507	N/A

带撞击器 with striker for micros witch operation

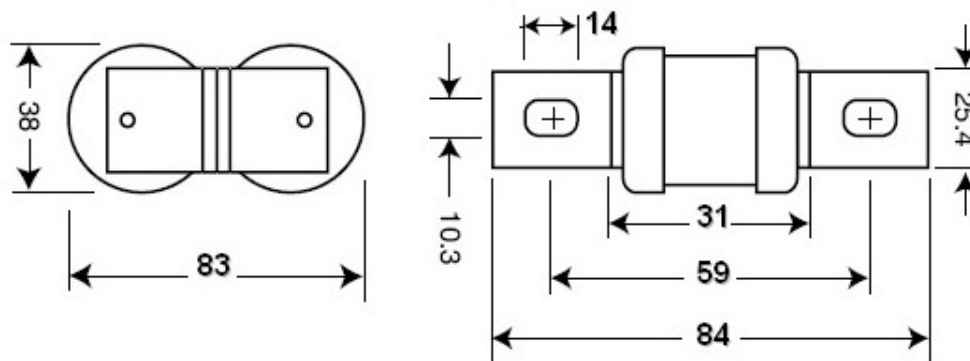
Dimensions 安装尺寸 (mm):



Main Characteristics 主要技术参数 电压 Voltage: 240VAC~150VDC 电流: from 300A to 1050A 类别: gR
 分断能力 High interrupting rating 100 kA. 执行标准 Standard IEC 60269-Part、4 BS 88 Part 4.

Kaiert Type 型号规格	Ampere 电流 (A)	Voltage 电压 (V)	Pre-arcing I^2t A ² S 弧前 I^2t	Total cleaing I^2t @Un A ² S 熔断 I^2t	Power Loss 功耗 (W)		Cross Reference 国内外熔断器对照表		
					0.8In	In	Bussmann	Ferraz	Siba
BS35-300A/240VACL/60	300A	240VAC	7700	31800	21.9	43	N/A	K082464	50 071 06.300
BS35-350A/240VACL/60	350A	240VAC	11500	48700	24	49	N/A	J082463	50 071 06.350
BS35-400A/240VACL/60	400A	240VAC	16000	65600	27	54	N/A	H082462	50 071 06.400
BS35-450A/240VACL/60	450A	240VAC	21000	87000	30	60	N/A	N/A	50 071 06.450
BS35-500A/240VACL/60	500A	240VAC	29100	120000	32	65	N/A	G082461	50 071 06.500
BS35-630A/240VACL/60	630A	240VAC	48200	198500	37	74	N/A	F082460	50 071 06.630
BS35-710A/240VACL/60	710A	240VAC	72000	276000	42	84	N/A	E082459	50 071 06.710
BS35-800A/240VACL/60	800A	240VAC	100000	512000	46.7	93	N/A	Q075546	50 071 06.800
BS35-900A/240VACL/60	900A	240VAC	134000	680000	54	108	N/A	R075547	50 071 06.900
BS35-1000A/240VACL/60	1000A	240VAC	172000	876000	60.8	122	N/A	S075548	N/A
BS35-1050A/240VACL/60	1050A	240VAC	193000	980000	66.4	132	N/A	T075549	N/A

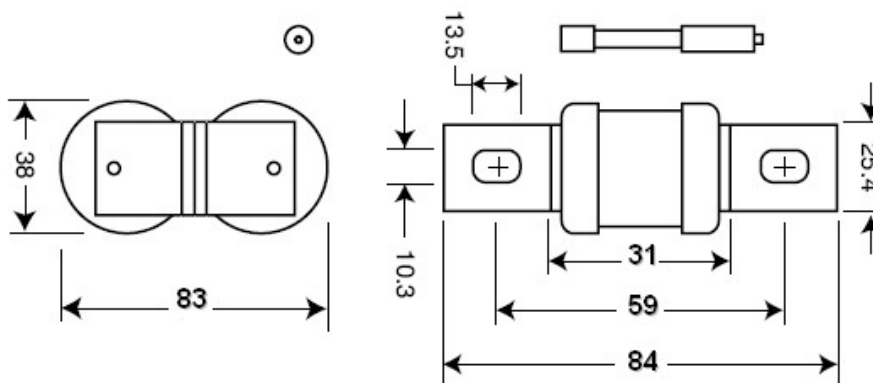
Dimensions 安装尺寸 (mm):



Main Characteristics 主要技术参数 电压 Voltage: 240VAC~150VDC 电流: from 300A to 1050A 类别: gR
 分断能力 High interrupting rating 100 kA. 执行标准 Standard IEC 60269-Part、4 BS 88 Part 4.

Kaiert Type 型号规格	Ampere 电流 (A)	Voltage 电压 (V)	Pre-arcing I^2t A ² S 弧前 I^2t	Total-cleaing I^2t @ U_n A ² S 熔断 I^2t	Power Loss 功耗 (W)		Cross Reference 国内外熔断器对照表	
					0.8I _n	I _n	Bussmann	Ferraz
BS35-300A/240VACLK/60	300A	240VAC	7700	31800	21.9	43	N/A	R080998
BS35-350A/240VACLK/60	350A	240VAC	11500	48700	24	49	N/A	JQ080997
BS35-400A/240VACLK/60	400A	240VAC	16000	65600	27	54	400LMMT	P080996
BS35-450A/240VACLK/60	450A	240VAC	21000	87000	30	60	450LMMT	N/A
BS35-500A/240VACLK/60	500A	240VAC	29100	120000	32	65	500LMMT	N080995
BS35-630A/240VACLK/60	630A	240VAC	48200	198500	37	74	630LMMT	M080994
BS35-710A/240VACLK/60	710A	240VAC	72000	276000	42	84	710LMMT	L080993
BS35-800A/240VACLK/60	800A	240VAC	100000	512000	46.7	93	800LMMT	Z075508
BS35-900A/240VACLK/60	900A	240VAC	134000	680000	54	108	900LMMT	A075509
BS35-1000A/240VACLK/60	1000A	240VAC	172000	876000	60.8	122	N/A	B075510
BS35-1050A/240VACLK/60	1050A	240VAC	193000	980000	66.4	132	N/A	075511

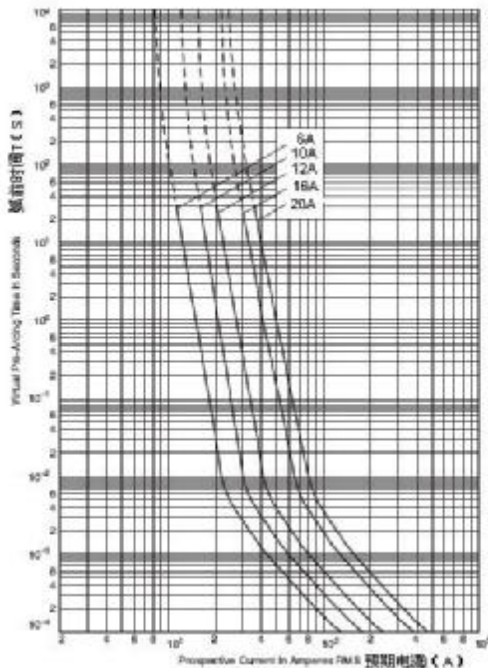
Dimensions 安装尺寸 (mm):



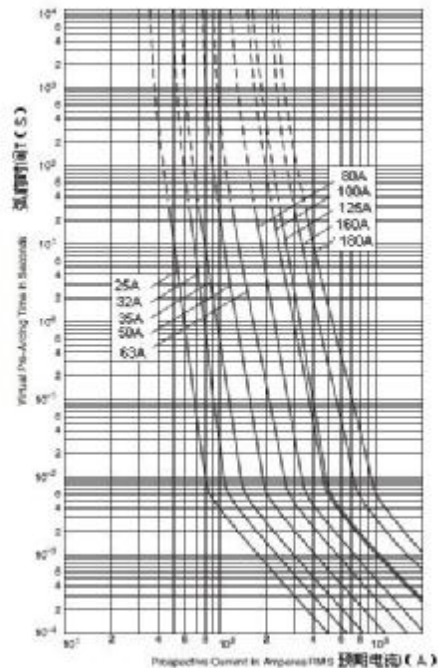
Main Characteristics 主要技术参数 电压 Voltage: 240VAC~150VDC 电流: from 6A to 1050A 类别: gR
 分断能力 High interrupting rating 100 kA. 执行标准 Standard IEC 60269-Part、4 BS 88 Part 4.

Time-Current Characteristics 时间电流特性曲线图

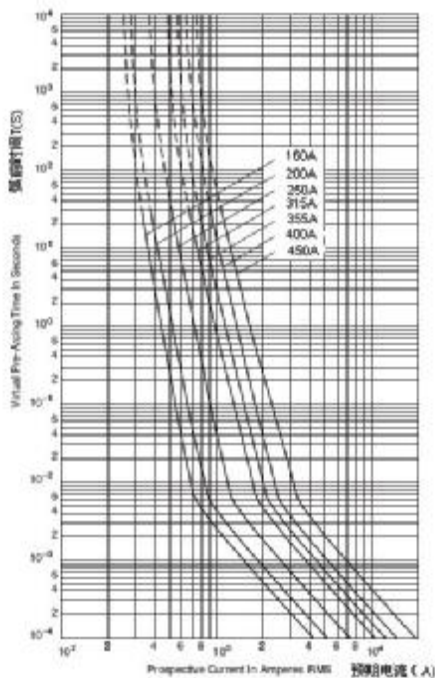
Time-Current Curve 6~20A, 240V



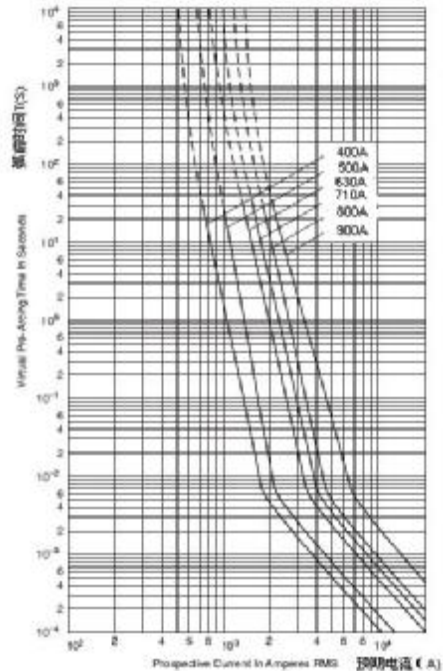
Time-Current Curve 25~180A, 240V



Time-Current Curve 160A~450A, AC240V

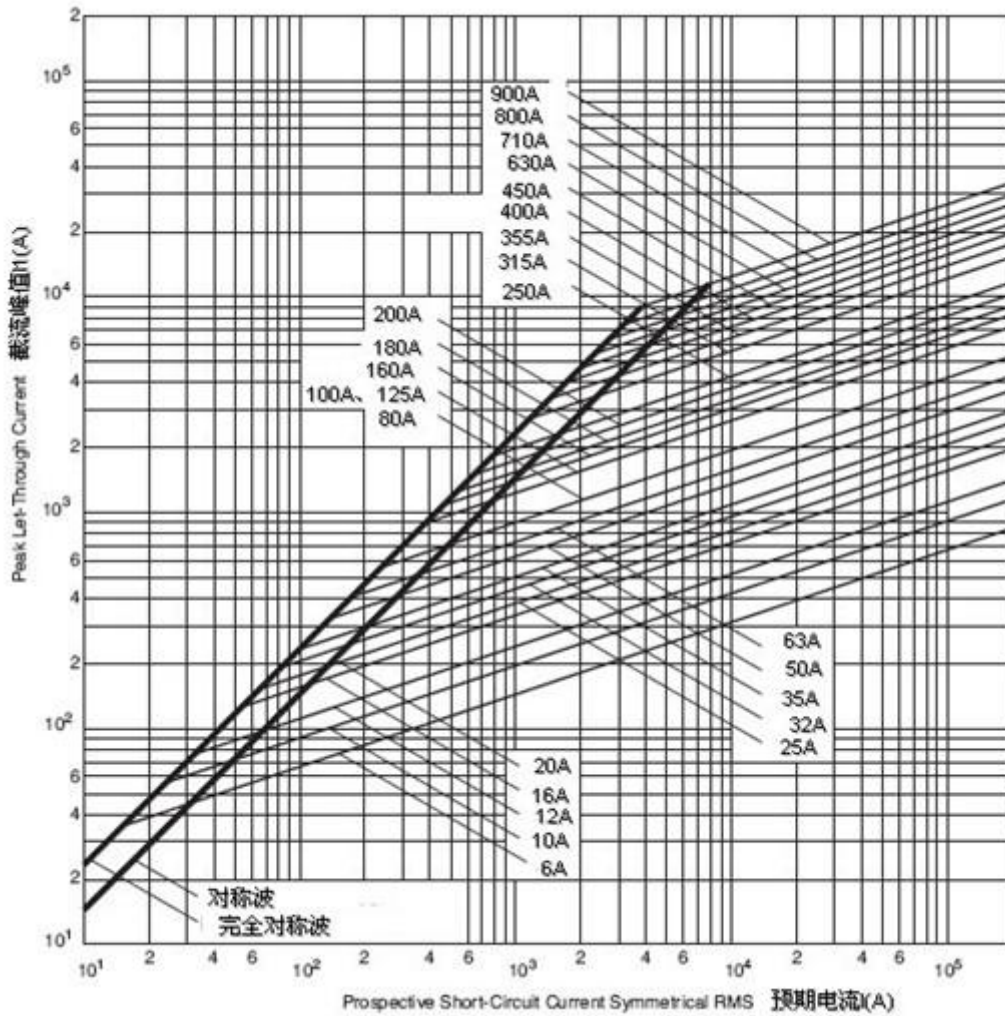


Time-Current Curve 400A~900A, AC240V



Main Characteristics 主要技术参数 电压 Voltage: 240VAC~150VDC 电流: from 6A to 1050A 类别: gR
 分断能力 High interrupting rating 100 kA. 执行标准 Standard IEC 60269-Part 、4 BS 88 Part 4.

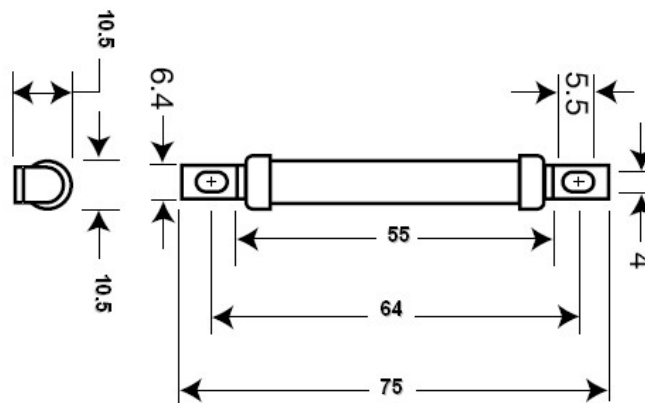
Cut-off Current Diagram 限流特性曲线图



Main Characteristics 主要技术参数 电压 Voltage: 690VAC~500VDC 电流: from 5A to 20A 类别: gR
 分断能力 High interrupting rating 100 kA. 执行标准 Standard IEC 60269-Part 、4 BS 88 Part 4.

Kaiert Type 型号规格	Ampere 电流 (A)	Voltage 电压 (V)	Pre-arcing I^2t A ² S 弧前 I^2t	Total-cleaing I^2t @Un A ² S 熔断 I^2t	Power Loss 功耗 (W)		Cross Reference 国内外熔断器对照表		
					0.8In	In	Bussmann	Ferraz	Siba
BS10-5A/690VACL/64	5A	690VAC	1.3	15	1.05	2	6LCT	D082458	50 077 06.5
BS10-6A/690VACL/64	6A	690VAC	1.3	21	1.3	2.5	6LCT	X097057	50 077 06.6
BS10-10A/690VACL/64	10A	690VAC	3.3	35	2.2	4.1	10LCT	C082457	50 077 06.10
BS10-12A/690VACL/64	12A	690VAC	5.5	58	2.3	4.3	12LCT	Z097059	50 077 06.12
BS10-16A/690VACL/64	16A	690VAC	9.7	100	2.4	4.4	16LCT	B082456	50 077 06.16
BS10-20A/690VACL/64	20A	690VAC	19.4	200	3.1	5.8	20LCT	A082455	50 077 06.20

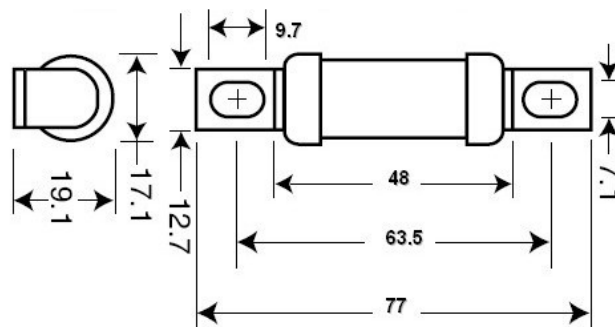
Dimensions 安装尺寸 (mm):



Main Characteristics 主要技术参数 电压 Voltage: 690VAC~500VDC 电流: from 16A to 80A 类别: gR
 分断能力 High interrupting rating 100 kA. 执行标准 Standard IEC 60269-Part、4 BS 88 Part 4.

Kaiert Type 型号规格	Amper e 电流 (A)	Voltage 电压 (V)	Pre- arcting I^2t A ² S 弧前 I^2t	Total- cleaing I^2t @Un A ² S 熔断 I^2t	Power Loss 功耗 (W)		Cross Reference 国内外熔断器对照表	
					0.8In	In	Ferraz	Siba
BS17-16A/690VACL/64	16A	690VAC	9.7	107	2.7	4.8	G075883	50 073 06.16
BS17-20A/690VACL/64	20A	690VAC	17.3	185	2.9	5.3	H075884	50 073 06.20
BS17-25A/690VACL/64	25A	690VAC	27	285	3.7	6.7	J075885	50 073 06.25
BS17-32A/690VACL/64	32A	690VAC	53	570	4.7	8.6	K075887	50 073 06.32
BS17-35A/690VACL/64	35A	690VAC	70	725	5.2	9.6	L075887	50 073 06.35
BS17-40A/690VACL/64	40A	690VAC	98	1080	5.7	10.5	M075888	50 073 06.40
BS17-45A/690VACL/64	45A	690VAC	130	1280	6.2	11.4	N075889	50 073 06.45
BS17-50A/690VACL/64	50A	690VAC	156	1420	6.8	12.6	P075890	50 053 06.50
BS17-55A/690VACL/64	55A	690VAC	210	1970	7.2	13.3	Q075891	50 073 06.55
BS17-63A/690VACL/64	63A	690VAC	315	2850	7.5	13.9	R075892	50 053 06.63
BS17-75A/690VACL/64	75A	690VAC	525	4630	7.8	14.5	S075893	50 053 06.75
BS17-80A/690VACL/64	80A	690VAC	625	5700	8.5	15.8	T075894	50 053 06.80

Dimensions 安装尺寸 (mm):

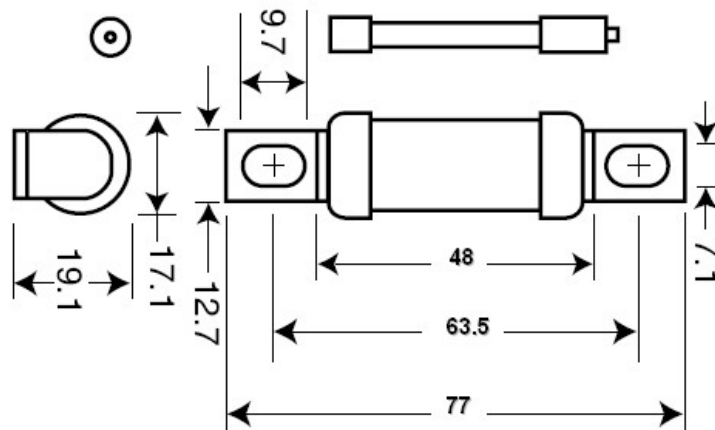


Main Characteristics 主要技术参数 电压 Voltage: 690VAC~500VDC 电流: from 16A to 80A 类别: gR
 分断能力 High interrupting rating 100 kA. 执行标准 Standard IEC 60269-Part、4 BS 88 Part 4.

Kaiert Type 型号规格	Ampere 电流 (A)	Voltage 电压 (V)	Pre-arcing I^2t A ² S 弧前 I^2t	Total-cleaing I^2t @Un A ² S 熔断 I^2t	Power Loss 功耗 (W)		Cross Reference 国内外熔断器对照表	
					0.8In	In	Bussmann	Ferraz
BS17-16A/690VACLK/64	16A	690VAC	9.7	107	2.7	4.8	16LET	V075895
BS17-20A/690VACLK/64	20A	690VAC	17.3	185	2.9	5.3	20LET	W075896
BS17-25A/690VACLK/64	25A	690VAC	27	285	3.7	6.7	25LET	X075897
BS17-32A/690VACLK/64	32A	690VAC	53	570	4.7	8.6	32LET	Y075898
BS17-35A/690VACLK/64	35A	690VAC	70	725	5.2	9.6	35LET	Z075899
BS17-40A/690VACLK/64	40A	690VAC	98	1080	5.7	10.5	40LET	A075900
BS17-45A/690VACLK/64	45A	690VAC	130	1280	6.2	11.4	45LET	B075901
BS17-50A/690VACLK/64	50A	690VAC	156	1420	6.8	12.6	50LET	K081084
BS17-55A/690VACLK/64	55A	690VAC	210	1970	7.2	13.3	55LET	C075902
BS17-63A/690VACLK/64	63A	690VAC	315	2850	7.5	13.9	63LET	D075903
BS17-75A/690VACLK/64	75A	690VAC	525	4630	7.8	14.5	75LET	E075904
BS17-80A/690VACLK/64	80A	690VAC	625	5700	8.5	15.8	80LET	F075905

带撞击器 with striker for micros witch operation

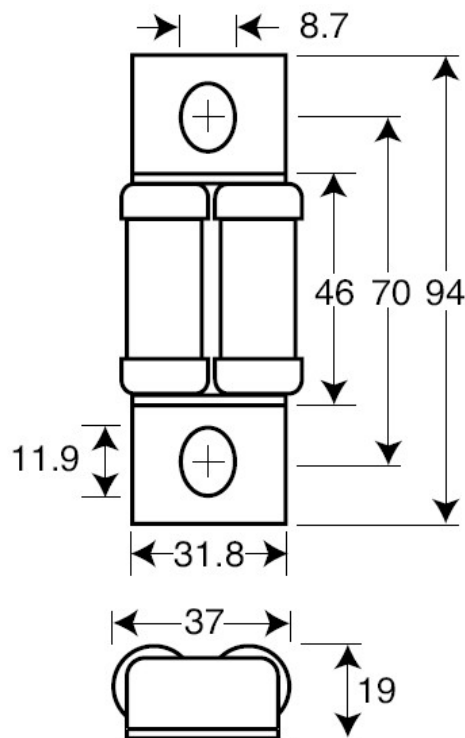
Dimensions 安装尺寸 (mm):



Main Characteristics 主要技术参数 电压 Voltage: 690VAC~500VDC 电流: from 65A to 160A 类别: gR
 分断能力 High interrupting rating 100 kA. 执行标准 Standard IEC 60269-Part、4 BS 88 Part 4.

Kaiert Type 型号规格	Ampere 电流 (A)	Voltage 电压 (V)	Pre-arcing I^2t A ² S 弧前 I^2t	Total-cleaing I^2t @Un A ² S 熔断 I^2t	Power Loss 功耗 (W)		Cross Reference 国内外熔断器对照表
					0.8In	In	Ferraz
BS17-65A/V690VACL/70	65A	690VAC	210	2270	9.5	17.4	G075906
BS17-75A/V690VACL/70	75A	690VAC	310	3280	10.9	20	F099572
BS17-85A/V690VACL/70	85A	690VAC	430	4350	11.9	21.9	H075907
BS17-90A/V690VACL/70	90A	690VAC	525	5130	12.4	22.8	A099958
BS17-110A/V690VACL/70	110A	690VAC	850	7840	13.8	26.5	B099959
BS17-140A/V690VACL/70	140A	690VAC	1730	15700	15.5	28.5	J075908
BS17-150A/V690VACL/70	150A	690VAC	2090	18500	15.6	28.7	C099960
BS17-160A/V690VACL/70	160A	690VAC	2500	22800	16.9	31.5	K075909

Dimensions 安装尺寸 (mm):

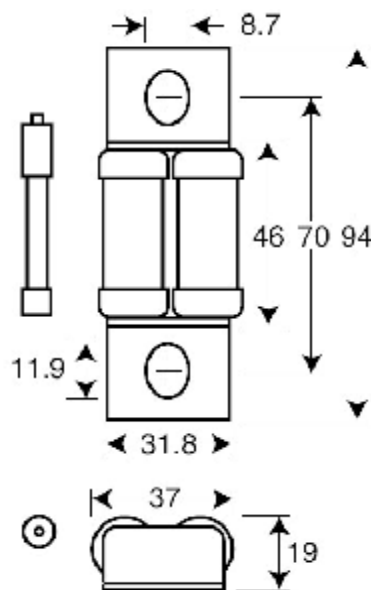


Main Characteristics 主要技术参数 电压 Voltage: 690VAC~500VDC 电流: from 65A to 200A 类别: gR
 分断能力 High interrupting rating 100 kA. 执行标准 Standard IEC 60269-Part、4 BS 88 Part 4.

Kaiert Type 型号规格	Ampere 电流 (A)	Voltage 电压 (V)	Pre-arcting I^2t A ² S 弧前 I^2t	Total-cleaing I^2t @Un A ² S 熔断 I^2t	Power Loss 功耗 (W)		Cross Reference 国内外熔断器对照表	
					0.8In	In	Bussmann	Ferraz
B17-65A/690VACLK/70	65A	690VAC	210	2270	9.5	17.4	65EET	L075910
B17-75A/690VACLK/70	75A	690VAC	310	3280	10.9	20	75EET	M075911
B17-85A/690VACLK/70	85A	690VAC	430	4350	11.9	21.9	85EET	N075912
B17-90A/690VACLK/70	90A	690VAC	525	5130	12.4	22.8	90EET	P075913
B17-110A/690VACLK/70	110A	690VAC	850	7840	13.8	26.5	110EET	Q075914
B17-140A/690VACLK/70	140A	690VAC	1730	15700	15.5	28.5	140EET	R075915
B17-150A/690VACLK/70	150A	690VAC	2090	18500	15.6	28.7	150EET	S075916
B17-160A/690VACLK/70	160A	690VAC	2500	22800	16.9	31.5	160EET	T075917
B17-180A/690VACLK/70	180A	690VAC	2700	24800	17	32	180EET	N/A
B17-200A/690VACLK/70	200A	690VAC	3000	26000	17.5	33	200EET	N/A

带撞击器 with striker for micros witch operation

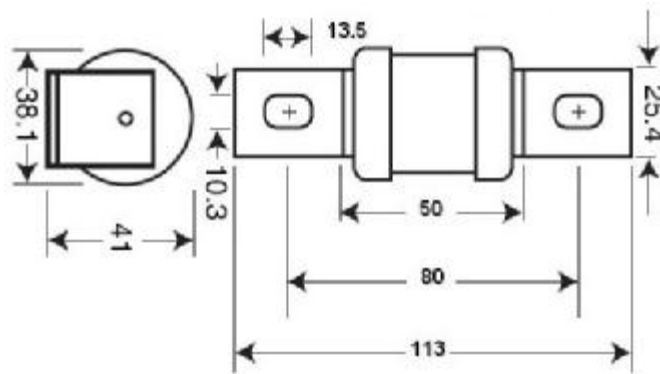
Dimensions 安装尺寸 (mm):



Main Characteristics 主要技术参数 电压 Voltage: 690VAC~500VDC 电流: from 50A to 400A 类别: gR
 分断能力 High interrupting rating 100 kA. 执行标准 Standard IEC 60269-Part、4 BS 88 Part 4.

Kaiert Type 型号规格	Ampere 电流 (A)	Voltage 电压 (V)	Pre-arcing I^2t A ² S 弧前 I^2t	Total-cleaing I^2t @Un A ² S 熔断 I^2t	Power Loss 功耗 (W)		Cross Reference 国内外熔断器对照表	
					0.8In	In	Ferraz	Siba
BS35-50A/690VACL/80	50A	690VAC	180	990	7.3	14	X097103	N/A
BS35-65A/690VACL/80	65A	690VAC	335	1840	8.8	17	H097113	N/A
BS35-75A/690VACL/80	75A	690VAC	350	2000	9.7	19.5	H097136	N/A
BS35-85A/690VACL/80	85A	690VAC	480	4000	12.2	22.8	M097163	N/A
BS35-90A/690VACL/80	90A	690VAC	720	4700	13.2	23.5	N097164	N/A
BS35-110A/690VACL/80	110A	690VAC	1180	6900	18.9	25.5	P097165	50 074 06.100
BS35-150A/690VACL/80	150A	690VAC	2880	14500	19.1	35.3	Q097166	50 074 06.150
BS35-180A/690VACL/80	180A	690VAC	5350	25500	19.7	35.7	R097167	50 074 06.180
BS35-200A/690VACL/80	200A	690VAC	9510	46000	20	36.7	V097170	50 074 06.200
BS35-250A/690VACL/80	250A	690VAC	21400	110000	20.3	37.5	W097171	50 074 06.250
BS35-280A/690VACL/80	280A	690VAC	29100	145000	22.3	38	A097175	50 074 06.280
BS35-315A/690VACL/80	315A	690VAC	38100	180000	26	42	B097176	50 074 06.315
BS35-355A/690VACL/80	355A	690VAC	48200	215000	26.9	48	C097177	50 074 06.355
BS35-400A/690VACL/80	400A	690VAC	72000	305000	27	50	D097178	N/A

Dimensions 安装尺寸 (mm):

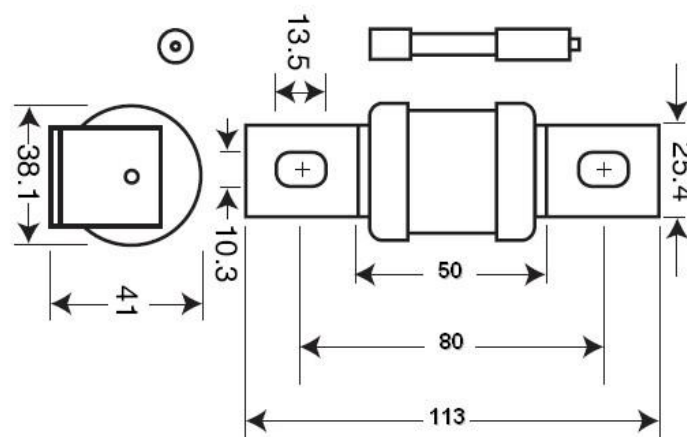


Main Characteristics 主要技术参数 电压 Voltage: 690VAC~500VDC 电流: from 50A to 400A 类别: gR
分断能力 High interrupting rating 100 kA. 执行标准 Standard IEC 60269-Part、4 BS 88 Part 4.

Kaiert Type 型号规格	Ampere 电流 (A)	Voltage 电压 (V)	Pre-arcing I^2t A ² S 弧前 I^2t	Total-cleaning I^2t @Un A ² S 熔断 I^2t	Power Loss 功耗 (W)		Cross Reference 国内外熔断器对照表	
					0.8In	In	Bussmann	Ferraz
BS35-50A/690VACLK/80	50A	690VAC	180	990	7.3	14	N/A	N/A
BS35-65A/690VACLK/80	65A	690VAC	335	1840	8.8	17	N/A	N/A
BS35-75A/690VACLK/80	75A	690VAC	350	2000	9.7	19.5	N/A	N/A
BS35-85A/690VACLK/80	85A	690VAC	480	4000	12.2	22.8	N/A	N/A
BS35-90A/690VACLK/80	90A	690VAC	720	4700	13.2	23.5	N/A	H097182
BS35-110A/690VACLK/80	110A	690VAC	1180	6900	18.9	25.5	N/A	J097183
BS35-150A/690VACLK/80	150A	690VAC	2880	14500	19.1	35.3	N/A	K097184
BS35-180A/690VACLK/80	180A	690VAC	5350	25500	19.7	35.7	180FM、180MT	L097185
BS35-200A/690VACLK/80	200A	690VAC	9510	46000	20	36.7	200FM、200MT	N097187
BS35-250A/690VACLK/80	250A	690VAC	21400	110000	20.3	37.5	250FM、250MT	P097188
BS35-280A/690VACLK/80	280A	690VAC	29100	145000	22.3	38	250FM、250MT	Q097190
BS35-315A/690VACLK/80	315A	690VAC	38100	180000	26	42	315FM、315MT	V097193
BS35-355A/690VACLK/80	355A	690VAC	48200	215000	26.9	48	355FM、355MT	Y097196
BS35-400A/690VACLK/80	400A	690VAC	72000	305000	27	50	N/A	M097209

带撞击器 with striker for micros witch operation

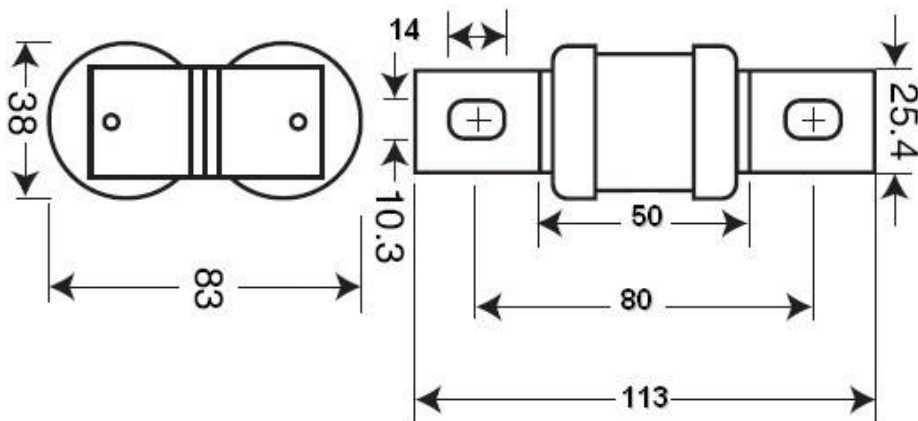
Dimensions 安装尺寸 (mm):



Main Characteristics 主要技术参数 电压 Voltage: 690VAC~500VDC 电流: from 175A to 800A 类别: gR
 分断能力 High interrupting rating 100 kA. 执行标准 Standard IEC 60269-Part、4 BS 88 Part 4.

Kaiert Type 型号规格	Ampere 电流 (A)	Voltage 电压 (V)	Pre-arcting I^2t A ² S 弧前 I^2t	Total-cleaing I^2t @Un A ² S 熔断 I^2t	Power Loss 功耗 (W)		Cross Reference 国内外熔断器对照表	
					0.8In	In	Ferraz	Siba
BS35-175A/690VACL/80	175A	690VAC	2880	16000	25	47	D097270	N/A
BS35-200A/690VACL/80	200A	690VAC	3350	18400	26	48	F097272	N/A
BS35-235A/690VACL/80	235A	690VAC	3900	20000	27	50	J097275	N/A
BS35-300A/690VACL/80	300A	690VAC	13700	68000	31.2	59	K097276	50 075 06.300
BS35-325A/690VACL/80	325A	690VAC	21400	102000	32	54	R097282	50 075 06.325
BS35-355A/690VACL/80	355A	690VAC	25200	120000	33	62	S097283	50 075 06.355
BS35-400A/690VACL/80	400A	690VAC	65600	340000	34	64	T097284	50 075 06.400
BS35-450A/690VACL/80	450A	690VAC	75300	390000	36	65	Y097288	50 075 06.450
BS35-500A/690VACL/80	500A	690VAC	85600	440000	37	69	Z097289	50 075 06.500
BS35-630A/690VACL/80	630A	690VAC	152000	720000	45	85	B097291	50 075 06.630
BS35-710A/690VACL/80	710A	690VAC	19300	800000	51	97	S097352	50 075 06.710
BS35-800A/690VACL/80	800A	690VAC	282000	1220000	53	100	Y097357	N/A

Dimensions 安装尺寸 (mm):

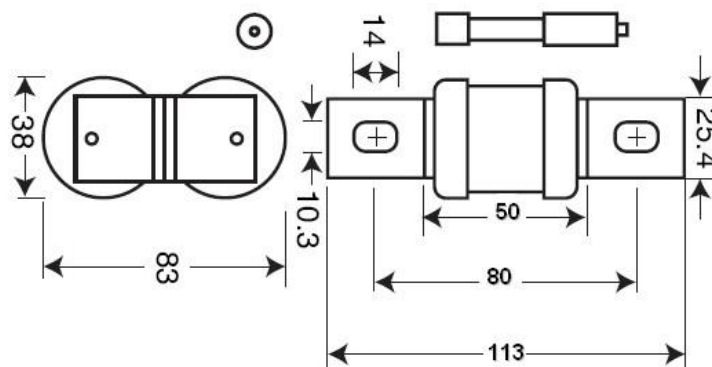


Main Characteristics 主要技术参数 电压 Voltage: 690VAC~500VDC 电流: from 175A to 800A 类别: gR
 分断能力 High interrupting rating 100 kA. 执行标准 Standard IEC 60269-Part、4 BS 88 Part 4.

Kaiert Type 型号规格	Ampere 电流 (A)	Voltage 电压 (V)	Pre-arcing I^2t A ² S 弧前 I^2t	Total-cleaing I^2t @Un A ² S 熔断 I^2t	Power Loss 功耗 (W)		Cross Reference 国内外熔断器对照表	
					0.8In	In	Bussmann	Ferraz
BS35-175A/690VACLK/80	175A	690VAC	2880	16000	25	47	180MMT	A097359
BS35-200A/690VACLK/80	200A	690VAC	3350	18400	26	48	200MMT	E097363
BS35-235A/690VACLK/80	235A	690VAC	3900	20000	27	50	235MMT	F097364
BS35-300A/690VACLK/80	300A	690VAC	13700	68000	31.2	59	300MMT	G097365
BS35-325A/690VACLK/80	325A	690VAC	21400	102000	32	54	325MMT	Q097373
BS35-355A/690VACLK/80	355A	690VAC	25200	120000	33	62	350MMT	R097374
BS35-400A/690VACLK/80	400A	690VAC	65600	340000	34	64	400MMT、400FMM	S097375
BS35-450A/690VACLK/80	450A	690VAC	75300	390000	36	65	450MMT、450FMM	T097376
BS35-500A/690VACLK/80	500A	690VAC	85600	440000	37	69	500MMT、500FMM	V097377
BS35-630A/690VACLK/80	630A	690VAC	152000	720000	45	85	630MMT、630FMM	J097390
BS35-710A/690VACLK/80	710A	690VAC	19300	800000	51	97	710MMT、710FMM	B097452
BS35-800A/690VACLK/80	800A	690VAC	282000	1220000	53	100	N/A	E097455

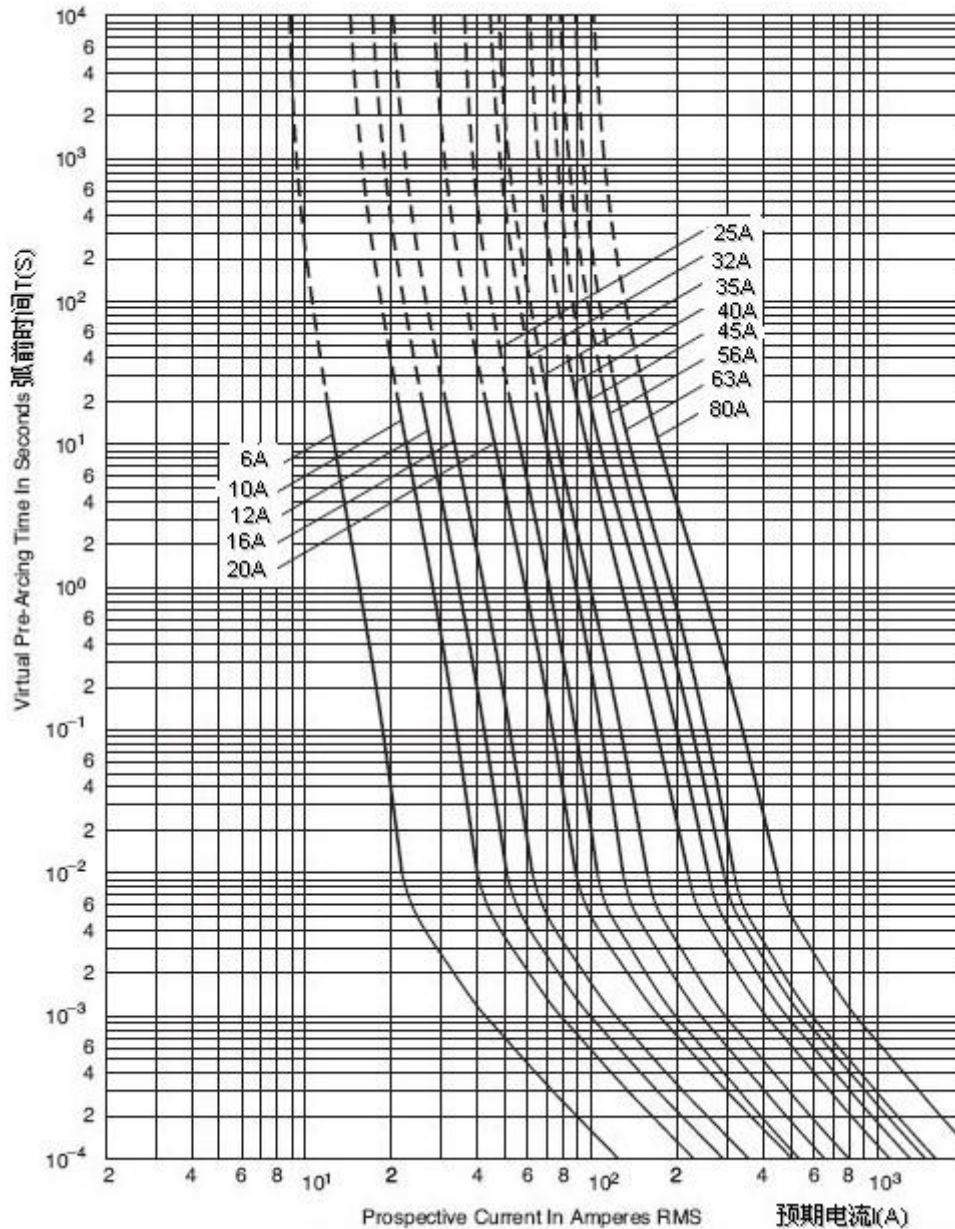
带撞击器 with striker for micros witch operation

Dimensions 安装尺寸 (mm):



Main Characteristics 主要技术参数 电压Voltage:690VAC~500VDC 电流: from 6A to 800A 类别: gR
 分断能力 High interrupting rating 100 kA. 执行标准 Standard IEC 60269-Part 、4 BS 88 Part 4.

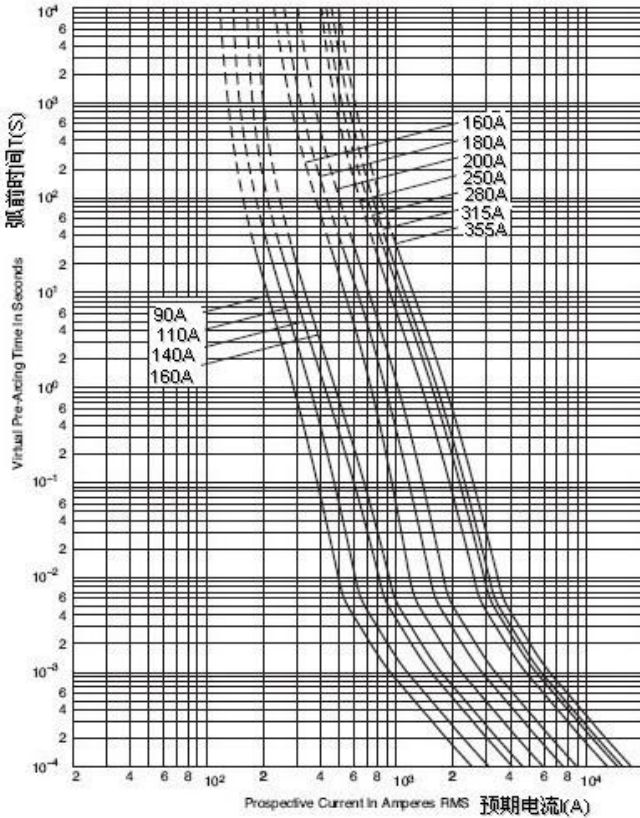
Time-Current Characteristics 时间电流特性曲线图 6A~80A/690VAC



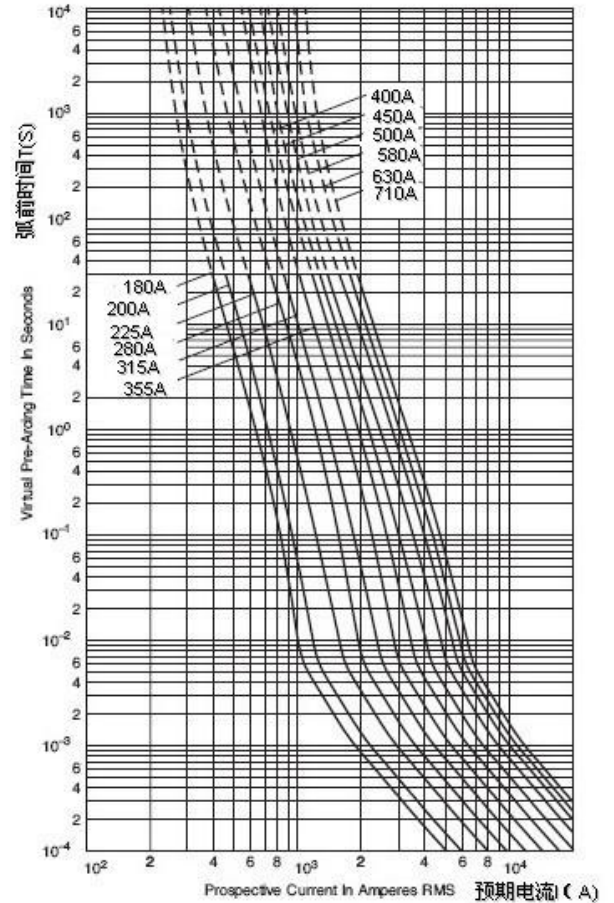
Main Characteristics 主要技术参数 电压 Voltage: 690VAC~500VDC 电流: from 6A to 800A 类别: gR
 分断能力 High interrupting rating 100 kA. 执行标准 Standard IEC 60269-Part、4 BS 88 Part 4.

Time-Current Characteristics 时间电流特性曲线图 6A~80A/690VAC

Time-Current Curve 90A~355A: 690V

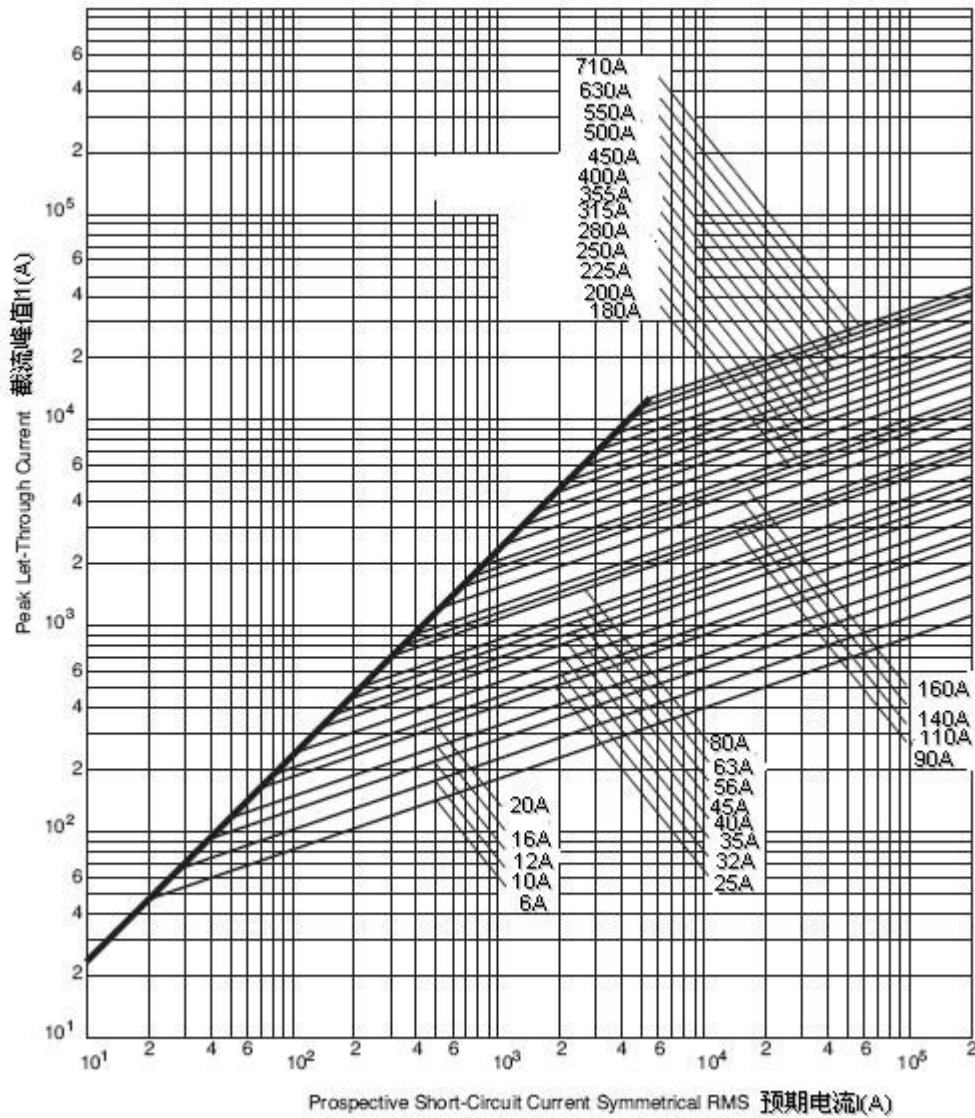


Time-Current Curve 180A~710A: 690V



Main Characteristics 主要技术参数 电压 Voltage: 690VAC~500VDC 电流: from 6A to 800A 类别: gR
 分断能力 High interrupting rating 100 kA. 执行标准 Standard IEC 60269-Part 4 BS 88 Part 4.

Cut-off Current Diagram 限流特性曲线图

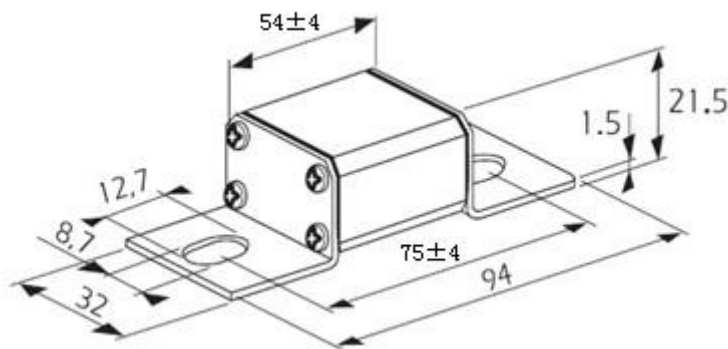


Main Characteristics 主要技术参数: 电压等级:690VAC~500VDC 电流范围:from 20A to 400AaR

尺寸Size: 000 分断能力High interrupting rating 200kA.执行标准Standard IEC 60269-Part .4 BS 88 Part 4.

Size 瓷管 代号	Catalog Numbers 订货号	Ampere 电流(A)	Voltage电压(V)		Pre- arcting I^2t A ² S 弧前 I^2t	Total- cleaing I^2t @Un A ² S 熔断 I^2t	Power Loss 功耗 (W)		Cross Reference 国内外熔断器对照表	
			Un(ac)	Un(dc)			0.8In	In	Bussmann	Ferraz
000FU/75	109M1749	20A	690VAC	500VDC	12	80	3.8	7	N/A	T330044
	109M1750	25A	690VAC	500VDC	20	150	5.0	9	170M1750	V330045
	109M1751	32A	690VAC	500VDC	39	270	5.5	10	170M1751	W330046
	109M1752	40A	690VAC	500VDC	70	460	6.6	12	170M1752	X330047
	109M1753	50A	690VAC	500VDC	102	730	7.7	14	170M1753	Z330049
	109M1754	63A	690VAC	500VDC	210	1500	8.8	16	170M1754	A330050
	109M1755	80A	690VAC	500VDC	475	2900	8.9	18	170M1755	N330108
	109M1756	100A	690VAC	500VDC	970	6000	11	20	170M1756	H330103
	109M1757	125A	690VAC	500VDC	1900	11800	12	21	170M1757	D330109
	109M1758	160A	690VAC	500VDC	2700	16000	17	31	170M1758	F330055
	109M1759	200A	690VAC	500VDC	5250	31500	20	36	170M1759	G330056
	109M1760	250A	690VAC	500VDC	9900	52000	25	45	170M1760	H330057
	109M1761	315A	690VAC	500VDC	15500	82000	32	58	170M1761	J330058
	109M1762	350A	690VAC	500VDC	22400	110000	33	60	170M1762	X330116
	109M1763	400A	690VAC	500VDC	33200	160000	36	68	N/A	G330194

Dimensions 安装尺寸 (mm):



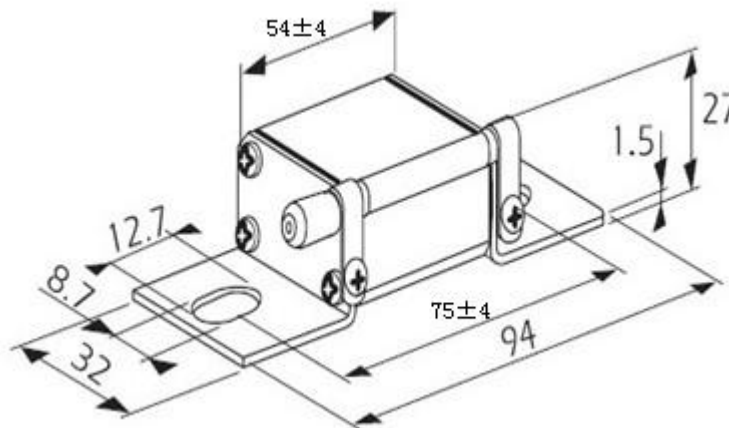
Main Characteristics 主要技术参数: 电压等级:690VAC~500VDC 电流范围:from 20A to 400AaR

尺寸Size: 000 分断能力High interrupting rating 200kA.执行标准Standard IEC 60269-Part .4 BS 88 Part 4.

Size 瓷管 代号	Catalog Numbers 订货号	Ampere 电流(A)	Voltage电压(V)		Pre- arcting I^2t A ² S 弧前 I^2t	Total- cleaing I^2t @Un A ² S 熔断 I^2t	Power Loss 功耗 (W)		Cross Reference 国内外熔断器对照表	
			Un(ac)	Un(dc)			0.8In	In	Bussmann	Ferraz
000FU/75	109M1729	20A	690VAC	500VDC	12	80	3.8	7	N/A	Y330117
	109M1730	25A	690VAC	500VDC	20	150	5.0	9	170M1730	Z330118
	109M1731	32A	690VAC	500VDC	39	270	5.5	10	170M1731	A330119
	109M1732	40A	690VAC	500VDC	70	460	6.6	12	170M1732	B330120
	109M1733	50A	690VAC	500VDC	102	730	7.7	14	170M1733	C330121
	109M1734	63A	690VAC	500VDC	210	1500	8.8	16	170M1734	D330122
	109M1735	80A	690VAC	500VDC	475	2900	8.9	18	170M1735	E330123
	109M1736	100A	690VAC	500VDC	970	6000	11	20	170M1736	F330124
	109M1737	125A	690VAC	500VDC	1900	11800	12	21	170M1737	G330125
	109M1738	160A	690VAC	500VDC	2700	16000	17	31	170M1738	P330132
	109M1739	200A	690VAC	500VDC	5250	31500	20	36	170M1739	Q330133
	109M1740	250A	690VAC	500VDC	9900	52000	25	45	170M1740	R330134
	109M1741	315A	690VAC	500VDC	15500	82000	32	58	170M1741	S330135
	109M1742	350A	690VAC	500VDC	22400	110000	33	60	170M1742	T330136
	109M1743	400A	690VAC	500VDC	33200	160000	36	68	N/A	H330195

with striker for micros witch operation 带撞击器

Dimensions 安装尺寸 (mm):

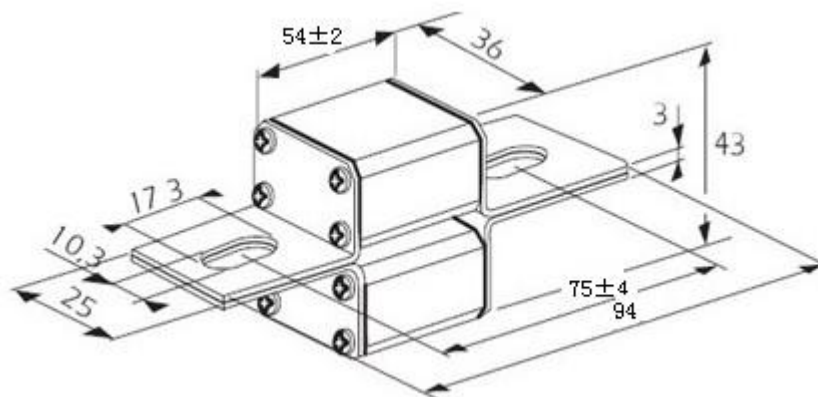


Main Characteristics 主要技术参数: 电压等级:690VAC~500VDC 电流范围:from 100A to 630AaR

尺寸Size: 000 分断能力High interrupting rating 200kA.执行标准Standard IEC 60269-Part .4 BS 88 Part 4.

Size 瓷管 代号	Catalog Numbers 订货号	Ampere 电流(A)	Voltage电压(V)		Pre- arcting I^2t A ² S 弧前 I^2t	Total- cleaing I^2t @ U_n A ² S 熔断 I^2t	Power Loss 功耗 (W)		Cross Reference 国内外熔断器对照表	
			U_n (ac)	U_n (dc)			0.8 I_n	I_n	Bussmann	Ferraz
230FU/75	109M1770	100A	690VAC	500VDC	380	1950	17	35	170M1770	N/A
	109M1771	125A	690VAC	500VDC	645	3300	22	42	170M1771	N/A
	109M1772	160A	690VAC	500VDC	1350	7000	23	47	170M1772	N/A
	109M1773	200A	690VAC	500VDC	2550	13500	26	54	170M1773	N/A
	109M1774	250A	690VAC	500VDC	4950	25000	30	62	170M1774	N/A
	109M1775	315A	690VAC	500VDC	9350	47500	34	72	170M1775	N/A
	109M1776	350A	690VAC	500VDC	12000	61000	38	78	170M1776	N/A
	109M1777	400A	690VAC	500VDC	18500	94500	40	80	170M1777	N/A
	109M1778	450A	690VAC	500VDC	27000	140000	42	85	170M1778	N/A
	109M1779	500A	690VAC	500VDC	37500	190000	45	90	170M1779	N/A
	109M1780	550A	690VAC	500VDC	48500	245000	50	95	170M1780	N/A
	109M1781	630A	690VAC	500VDC	69500	355000	55	105	170M1781	N/A

Dimensions 安装尺寸 (mm):



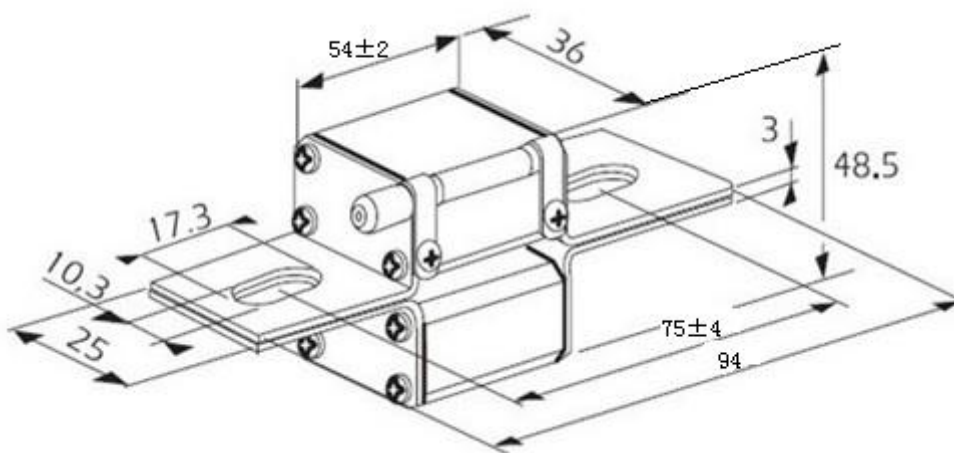
Main Characteristics 主要技术参数: 电压等级:690VAC~500VDC 电流范围:from 100A to 630AaR

尺寸Size: 000 分断能力High interrupting rating 200kA.执行标准Standard IEC 60269-Part .4 BS 88 Part 4..

Size 瓷管 代号	Catalog Numbers 订货号	Ampere 电流(A)	Voltage电压(V)		Pre- arcting I^2t A ² S 弧前 I^2t	Total- cleaing I^2t @Un A ² S 熔断 I^2t	Power Loss 功耗 (W)		Cross Reference 国内外熔断器对照表	
			Un(ac)	Un(dc)			0.8In	In	Bussmann	Ferraz
230FU/75	109M1785	100A	690VAC	500VDC	380	1950	17	35	170M1785	N/A
	109M1786	125A	690VAC	500VDC	645	3300	22	42	170M1786	N/A
	109M1787	160A	690VAC	500VDC	1350	7000	23	47	170M1787	N/A
	109M1788	200A	690VAC	500VDC	2550	13500	26	54	170M1788	N/A
	109M1789	250A	690VAC	500VDC	4950	25000	30	62	170M1789	N/A
	109M1790	315A	690VAC	500VDC	9350	47500	34	72	170M1790	N/A
	109M1791	350A	690VAC	500VDC	12000	61000	38	78	170M1791	N/A
	109M1792	400A	690VAC	500VDC	18500	94500	40	80	170M1792	N/A
	109M1793	450A	690VAC	500VDC	27000	140000	42	85	170M1793	N/A
	109M1794	500A	690VAC	500VDC	37500	190000	45	90	170M1794	N/A
	109M1795	550A	690VAC	500VDC	48500	245000	50	95	170M1795	N/A
	109M1796	630A	690VAC	500VDC	69500	355000	55	105	170M1796	N/A

with striker for micro switch operation 带指示器

Dimensions 安装尺寸 (mm):

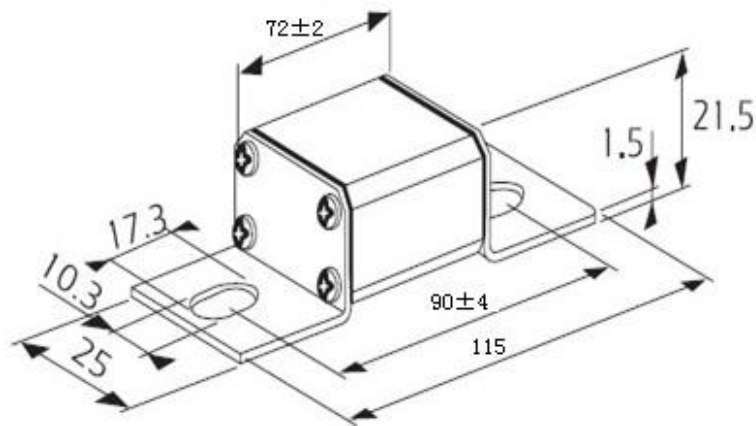


Main Characteristics 主要技术参数: 电压等级:1000VAC~750VDC 电流范围:from 20A to 400AaR

尺寸Size: 000 分断能力High interrupting rating 200kA.执行标准Standard IEC 60269-Part .4 BS 88 Part 4.

Size 瓷管 代号	Catalog Numbers 订货号	Ampere 电流(A)	Voltage电压(V)		Pre- arcting I^2t A ² S 弧前 I^2t	Total- cleaing I^2t @Un A ² S 熔断 I^2t	Power Loss 功耗 (W)		Cross Reference 国内外熔断器对照表	
			Un(ac)	Un(dc)			0.8In	In	Bussmann	Ferraz
000FU/90	109M1802	25A	1000VAC	750VDC	19	95	5.0	14	170M1802	N/A
	109M1803	32A	1000VAC	750VDC	34	170	7.3	17	170M1803	N/A
	109M1804	40A	1000VAC	750VDC	61	300	10.0	20	170M1804	N/A
	109M1805	50A	1000VAC	750VDC	135	675	11.5	21	170M1805	N/A
	109M1806	63A	1000VAC	750VDC	245	1200	12	22	170M1806	N/A
	109M1807	80A	1000VAC	750VDC	505	2500	13	27	170M1807	N/A
	109M1808	100A	1000VAC	750VDC	1050	5150	14	32	170M1808	N/A
	109M1809	125A	1000VAC	750VDC	1900	9500	16	34	170M1809	N/A
	109M1810	160A	1000VAC	750VDC	4050	20000	18	37	170M1810	N/A
	109M1811	200A	1000VAC	750VDC	8500	42000	20	43	170M1811	N/A
	109M1812	225A	1000VAC	750VDC	12000	59000	23	45	170M1812	N/A
	109M1813	250A	1000VAC	750VDC	16000	79500	24	48	170M1813	N/A

Dimensions 安装尺寸 (mm):



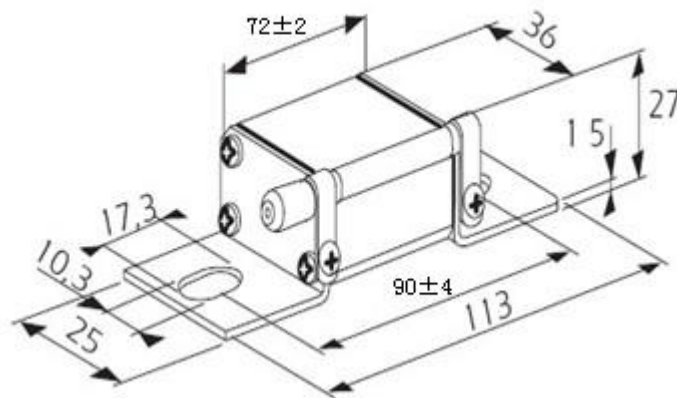
Main Characteristics 主要技术参数: 电压等级:1000VAC~750VDC 电流范围:from 20A to 400AaR

尺寸Size: 000 分断能力High interrupting rating 200kA.执行标准Standard IEC 60269-Part .4 BS 88 Part 4

Size 瓷管 代号	Catalog Numbers 订货号	Ampere 电流(A)	Voltage电压(V)		Pre- arcting I^2t A ² S 弧前 I^2t	Total- cleaing I^2t @Un A ² S 熔断 I^2t	Power Loss 功耗 (W)		Cross Reference 国内外熔断器对照表	
			Un(ac)	Un(dc)			0.8In	In	Bussmann	Ferraz
000FU/90	109M1902	25A	1000VAC	750VDC	19	95	5.0	14	170M1902	N/A
	109M1903	32A	1000VAC	750VDC	34	170	7.3	17	170M1903	N/A
	109M1904	40A	1000VAC	750VDC	61	300	10.0	20	170M1904	N/A
	109M1905	50A	1000VAC	750VDC	135	675	11.5	21	170M1905	N/A
	109M1906	63A	1000VAC	750VDC	245	1200	12	22	170M1906	G330148
	109M1907	80A	1000VAC	750VDC	505	2500	13	27	170M1907	H330149
	109M1908	100A	1000VAC	750VDC	1050	5150	14	32	170M1908	J330150
	109M1909	125A	1000VAC	750VDC	1900	9500	16	34	170M1909	K330151
	109M1910	160A	1000VAC	750VDC	4050	20000	18	37	170M1910	L330152
	109M1911	200A	1000VAC	750VDC	8500	42000	20	43	170M1911	M330153
	109M1912	225A	1000VAC	750VDC	12000	59000	23	45	170M1912	N330154
	109M1913	250A	1000VAC	750VDC	16000	79500	24	48	170M1913	N/A

with striker for micro switch operation 带撞击器

Dimensions 安装尺寸 (mm):

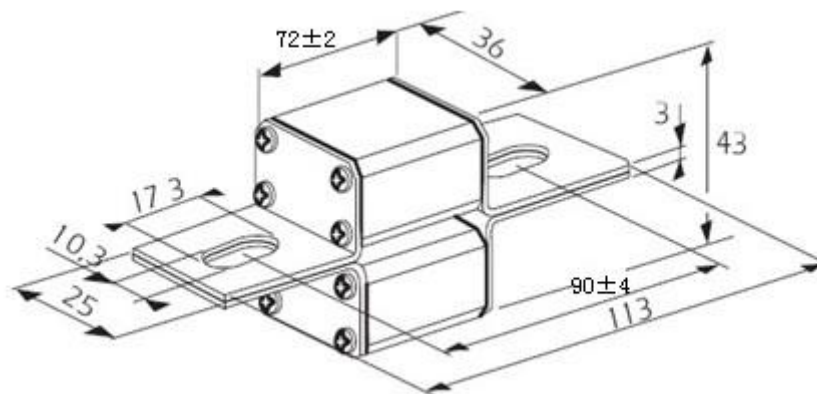


Main Characteristics 主要技术参数: 电压等级:1000VAC~750VDC 电流范围:from 100A to 500A

尺寸Size: 000 分断能力High interrupting rating 200kA.执行标准Standard IEC 60269-Part .4 BS 88 Part 4

Size 瓷管 代号	Catalog Numbers 订货号	Ampere 电流(A)	Voltage电压(V)		Pre- arcting I^2t A ² S 弧前 I^2t	Total- cleaing I^2t @ U_n A ² S 熔断 I^2t	Power Loss 功耗 (W)		Cross Reference 国内外熔断器对照表	
			U_n (ac)	U_n (dc)			0.8 I_n	I_n	Bussmann	Ferraz
230FU/90	109M1824	100A	1000VAC	750VDC	600	3050	16	38	170M1824	N/A
	109M1825	125A	1000VAC	750VDC	1200	6050	17	42	170M1825	N/A
	109M1826	160A	1000VAC	750VDC	2550	13000	19	48	170M1826	N/A
	109M1827	200A	1000VAC	750VDC	4650	23000	21	55	170M1827	N/A
	109M1828	250A	1000VAC	750VDC	9300	45500	23	62	170M1828	N/A
	109M1829	315A	1000VAC	750VDC	18500	91500	26	68	170M1829	N/A
	109M1830	350A	1000VAC	750VDC	24500	125000	31	75	170M1830	N/A
	109M1831	400A	1000VAC	750VDC	37500	185000	38	80	170M1831	N/A
	109M1832	450A	1000VAC	750VDC	52000	260000	40	85	170M1832	N/A
	109M1833	500A	1000VAC	750VDC	69500	340000	43	90	170M1833	N/A

Dimensions 安装尺寸 (mm):



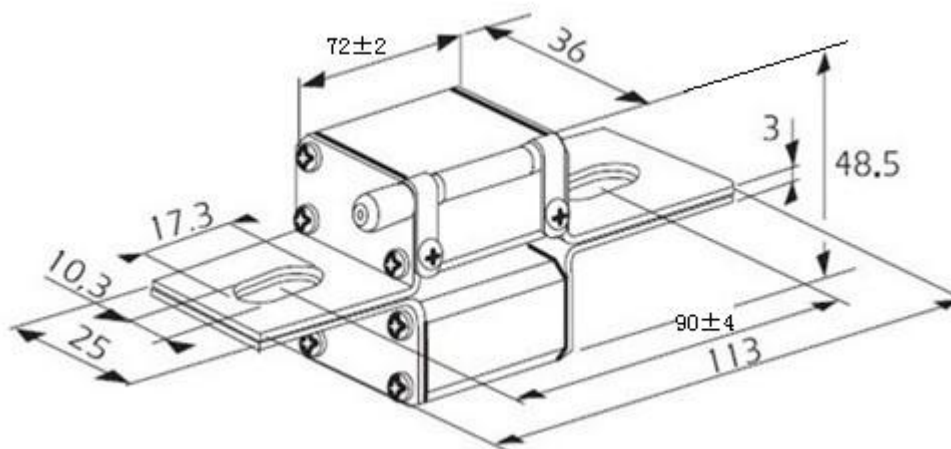
Main Characteristics 主要技术参数: 电压等级:1000VAC~750VDC 电流范围:from 100A to 500AaR

尺寸Size: 000 分断能力High interrupting rating 200kA.执行标准Standard IEC 60269-Part .4 BS 88 Part 4

Size 瓷管 代号	Catalog Numbers 订货号	Ampere 电流(A)	Voltage电压(V)		Pre- arcting I^2t A ² S 弧前 I^2t	Total- cleaing I^2t @Un A ² S 熔断 I^2t	Power Loss 功耗 (W)		Cross Reference 国内外熔断器对照表	
			Un(ac)	Un(dc)			0.8In	In	Bussmann	Ferraz
230FU/90	109M1924	100A	1000VAC	750VDC	600	3050	16	38	170M1924	N/A
	109M1925	125A	1000VAC	750VDC	1200	6050	17	42	170M1925	N/A
	109M1926	160A	1000VAC	750VDC	2550	13000	19	48	170M1926	N/A
	109M1927	200A	1000VAC	750VDC	4650	23000	21	55	170M1927	N/A
	109M1928	250A	1000VAC	750VDC	9300	45500	23	62	170M1928	N/A
	109M1929	315A	1000VAC	750VDC	18500	91500	26	68	170M1929	N/A
	109M1930	350A	1000VAC	750VDC	24500	125000	31	75	170M1930	N/A
	109M1931	400A	1000VAC	750VDC	37500	185000	38	80	170M1931	N/A
	109M1932	450A	1000VAC	750VDC	52000	260000	40	85	170M1932	N/A
	109M1933	500A	1000VAC	750VDC	69500	340000	43	90	170M1933	N/A

with striker for micro switch operation 带撞击器

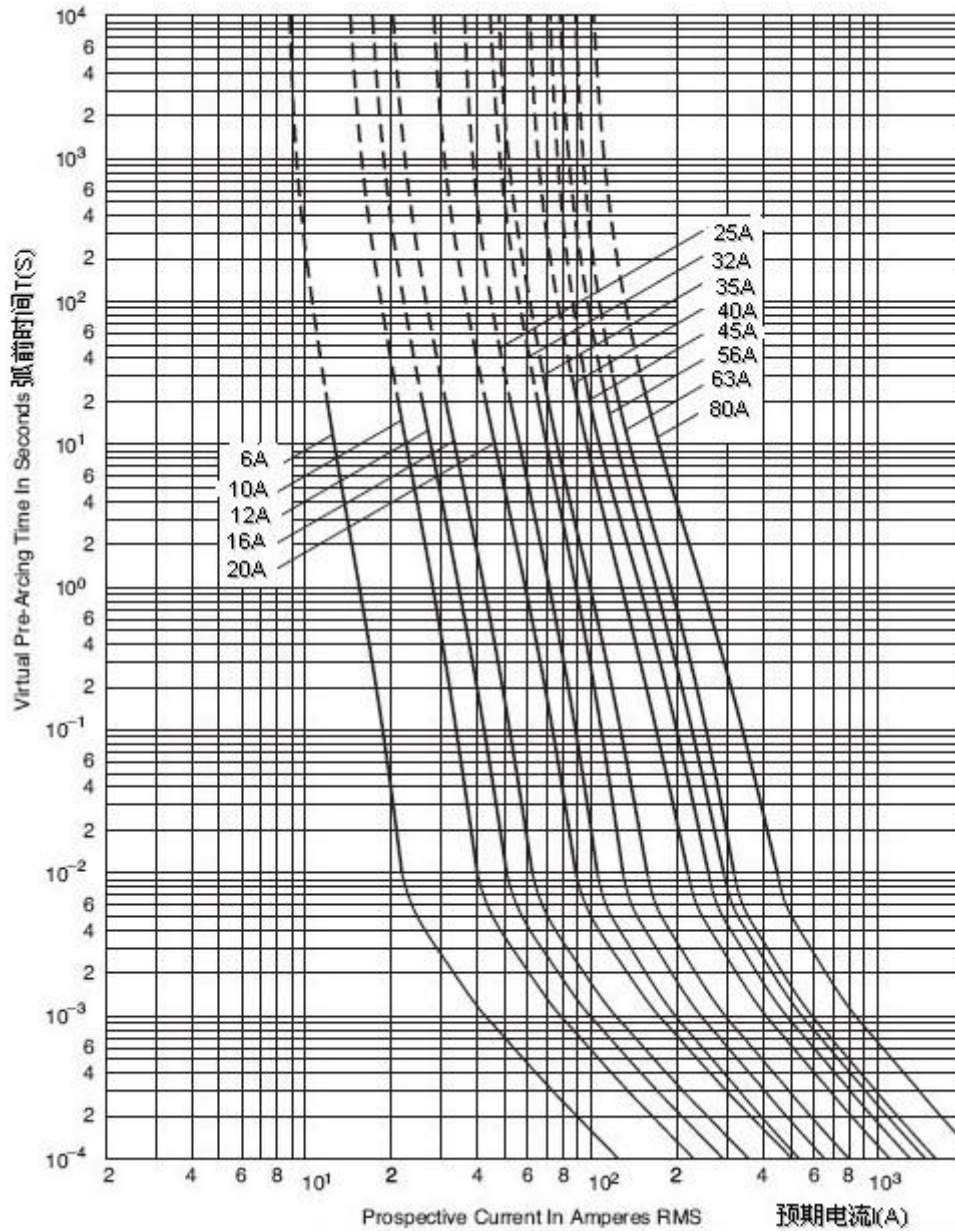
Dimensions 安装尺寸 (mm):



Main Characteristics 主要技术参数: 电压等级:690VAC~500VDC 电流范围:from 100A to 630AgR

尺寸Size: 000 分断能力High interrupting rating 200kA.执行标准Standard IEC 60269-Part .4 BS 88 Part 4

Time-Current Curve:6A~80A 690V 时间电流特性曲线:

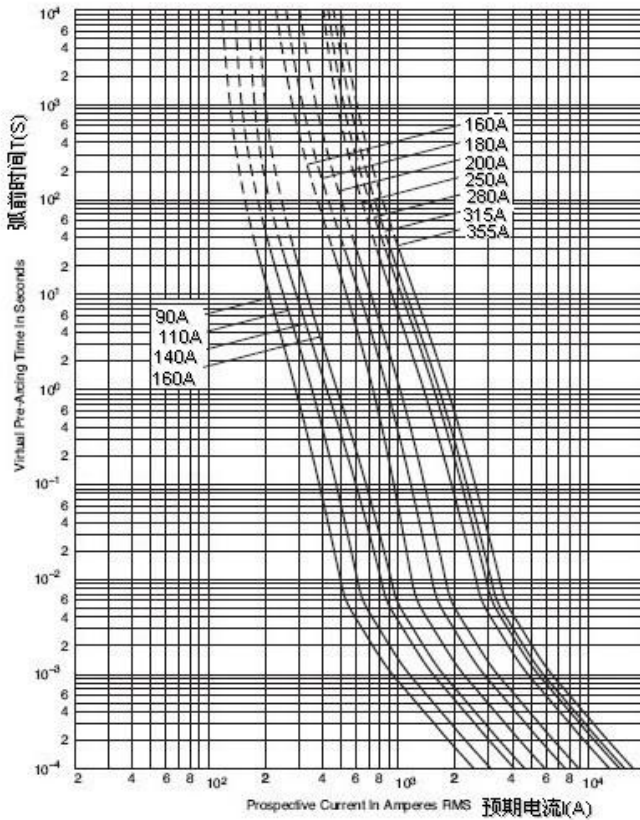


Main Characteristics 主要技术参数: 电压等级:690VAC~500VDC 电流范围:from 90A to 710AgR

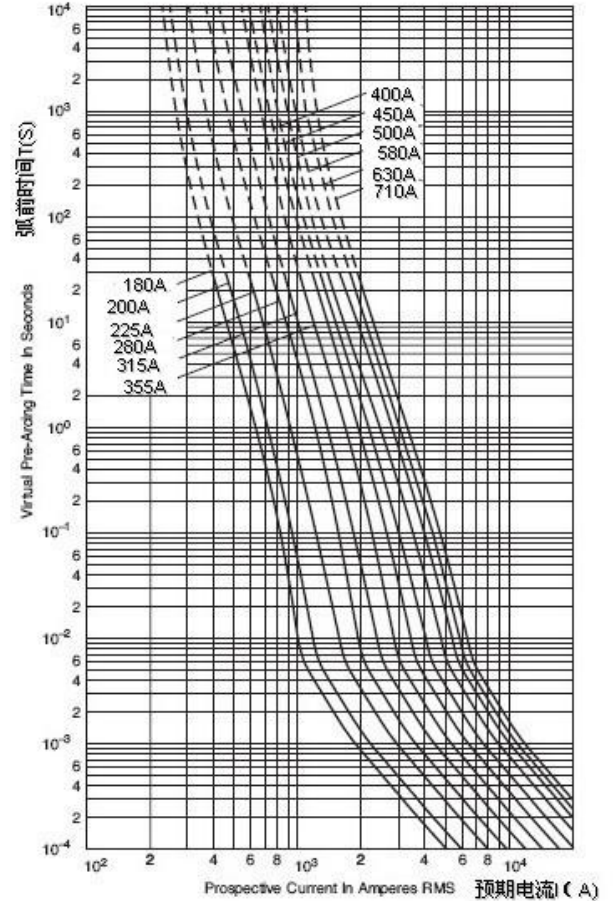
尺寸Size: 000 分断能力High interrupting rating 200kA.执行标准Standard IEC 60269-Part .4 BS 88 Part 4

Time-Current Curve:6A~80A 690V 时间电流特性曲线:

Time-Current Curve 90A~355A: 690V



Time-Current Curve 180A~710A: 690V



Main Characteristics 主要技术参数: 电压等级:690VAC~500VDC 电流范围:from 6A to 710AgR

尺寸Size: 000 分断能力High interrupting rating 200kA.执行标准Standard IEC 60269-Part .4 BS 88 Part 4

Cut-off current diagram 限流特性曲线

